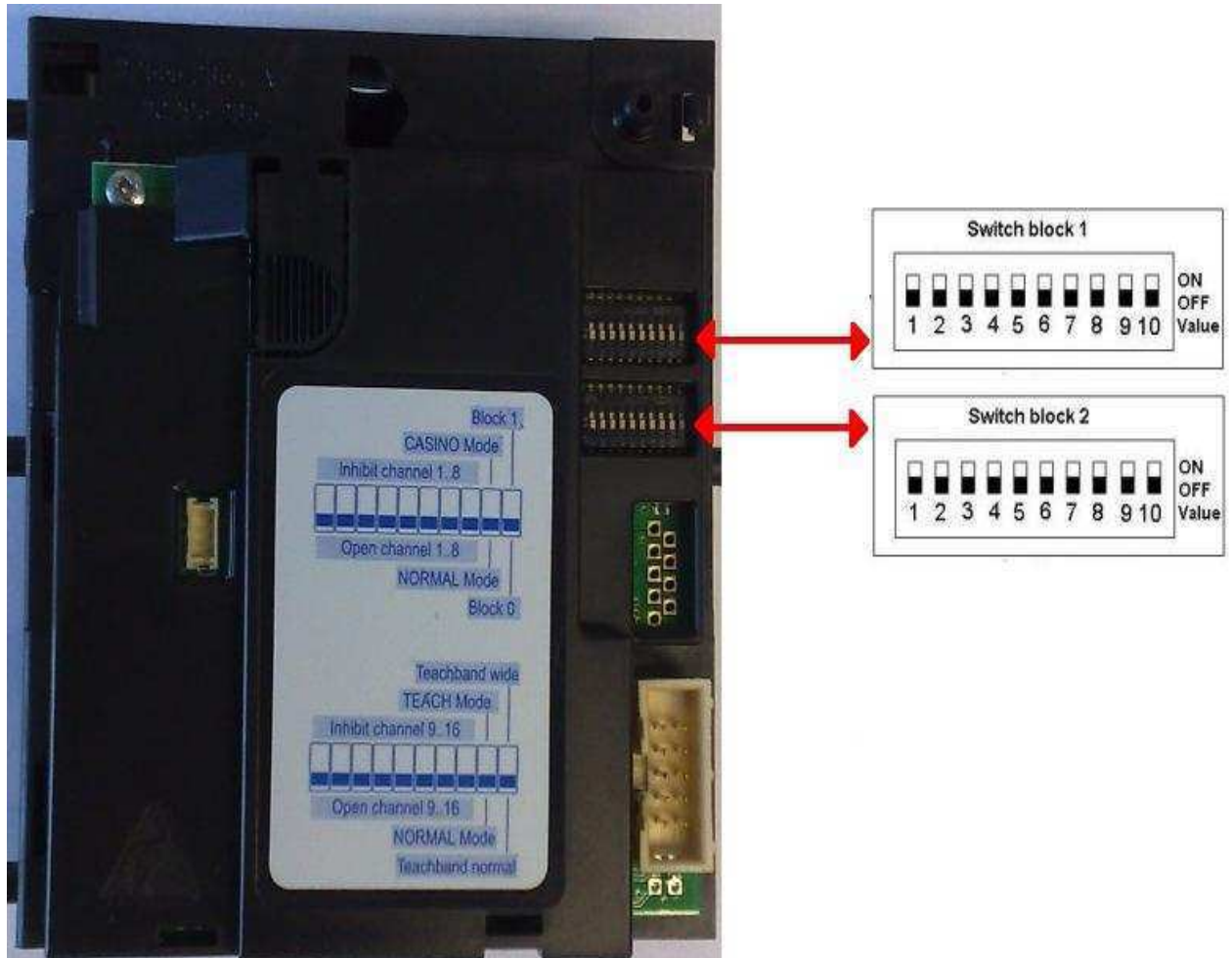


# HOW TO PROGRAM NRI COIN ACCEPTOR WITH TEACH MODE FUNCTION

Drawing below shows Dip Switches, which are used to program coin acceptor (C/A)



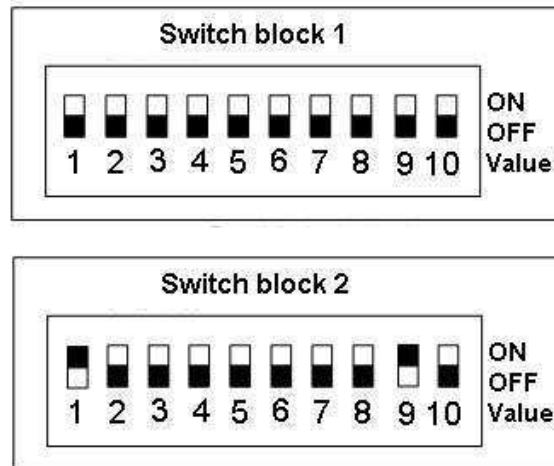
## HOW TO PROGRAM NRI COIN ACCEPTOR WITH TEACH MODE FUNCTION

1st channel of C/A (first coin, for example in UK - 50 pence)

Using switch block 2:

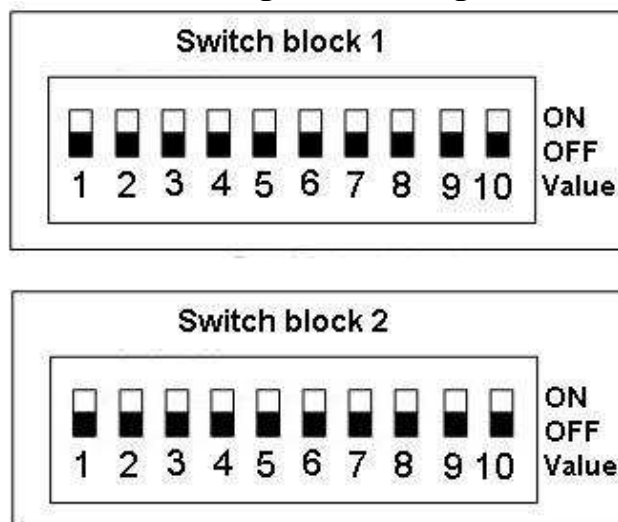
- a) first on turn ON switch #1 (drawing 1)
- b) then on turn ON switch #9 (drawing 1)

according to drawing #1



- c) put through the C/A about 15 coins
- d) after that “click click” sound will be heard
- e) first turn OFF switch #9 (drawing nr 2)
- f) then turn OFF switch #1 (drawing nr 2)
- g) after that “click click” sound will be heard

according to drawing #2



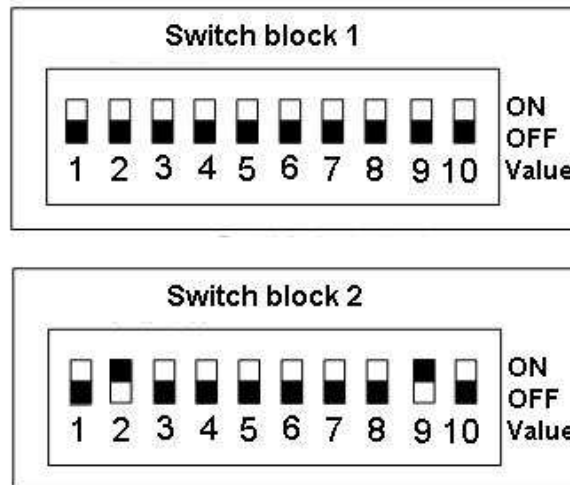
## HOW TO PROGRAM NRI COIN ACCEPTOR WITH TEACH MODE FUNCTION

2nd channel C/A (second coin, for example in UK – 1 GBP)

Using switch block 2:

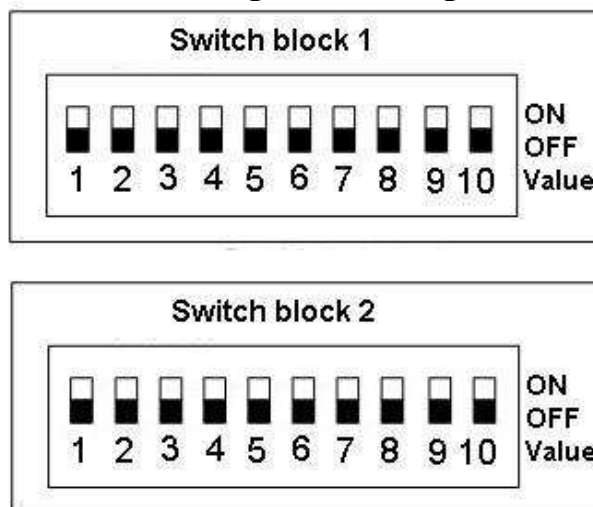
- a) first turn ON switch #2 (drawing 3)
- b) then turn ON switch #9 (drawing 3)

according to drawing #3



- c) put through about 15 coins
- d) after that “click click” sound will be heard
- e) first turn OFF switch #9 (drawing nr 4)
- f) then turn OFF switch #2 (drawing nr 4)
- g) after that “click click” sound will be heard

according to drawing #4



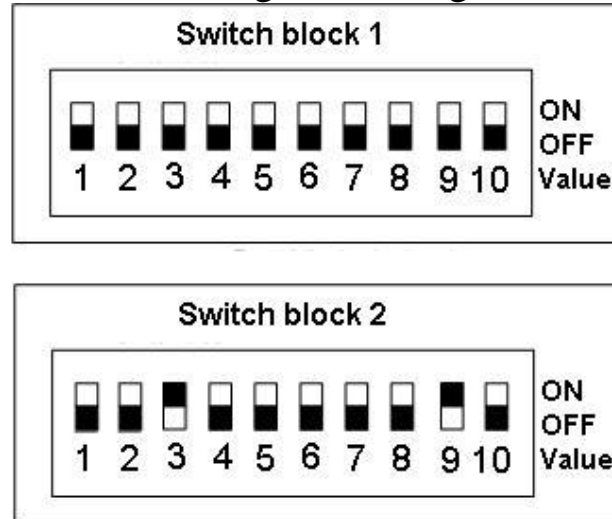
## HOW TO PROGRAM NRI COIN ACCEPTOR WITH TEACH MODE FUNCTION

3rd channel C/A (third coin, for example in UK – 2 GBP)

Using switch block 2:

- a) first turn ON switch #3 (drawing 5)
- b) then turn ON switch #9 (drawing 5)

according to drawing #5



- c) put through about 15 coins
- d) after that “click click” sound will be heard
- e) first turn switch OFF #9 (drawing nr 6)
- f) then turn switch OFF #1 (drawing nr 6)
- g) after that “click click” sound will be heard

according to drawing #6

